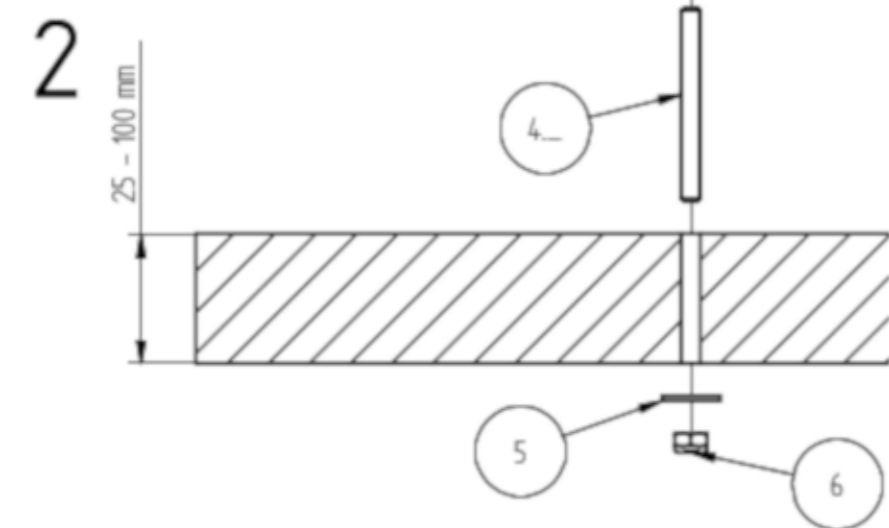
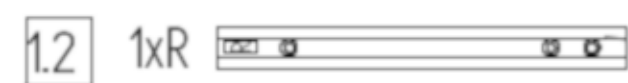
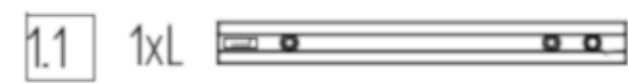
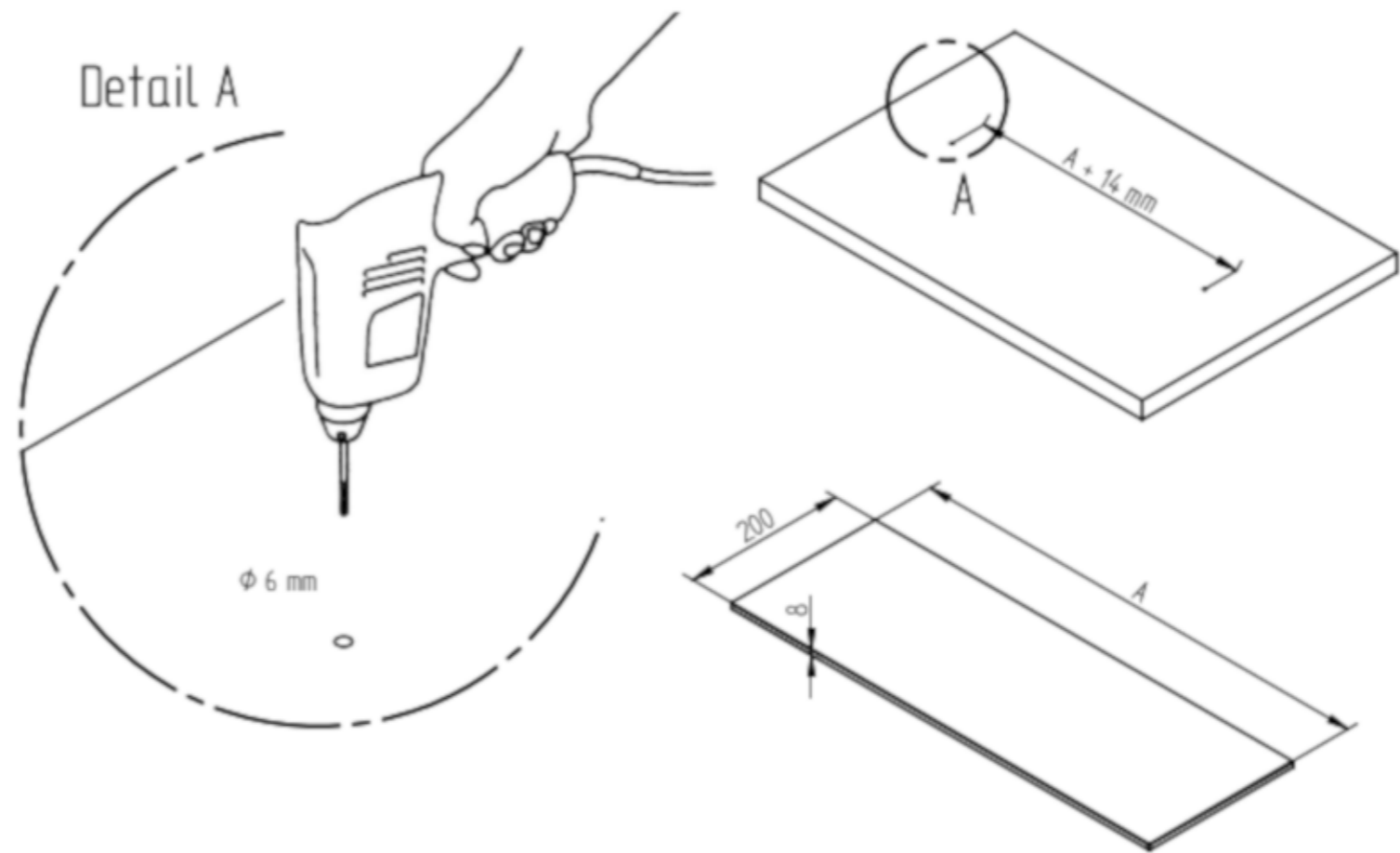


Protect



1 Detail A



3 Detail B

